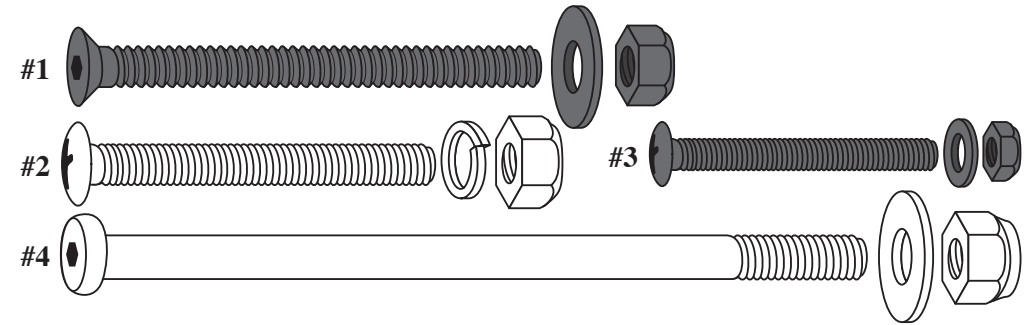




Cast Iron Backed Outdoor Swing

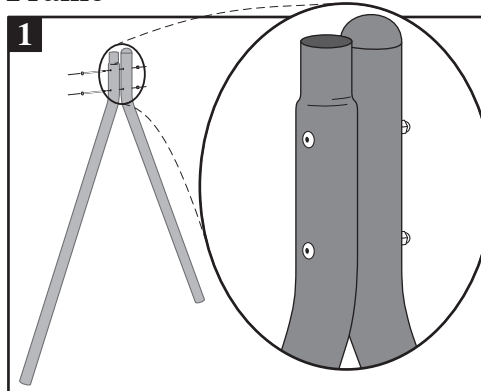
The Weston® Collection

Thank you for your purchase of this swing in the **Weston® Collection** of outdoor benches, swings and accessories. Every step has been taken to make this the best looking longest lasting bench in the market today. Our 3-step wood sealing process and powder coat iron finish give you a product to enjoy for years to come. The growing Weston Collection can be seen at www.paintedskydesigns.com

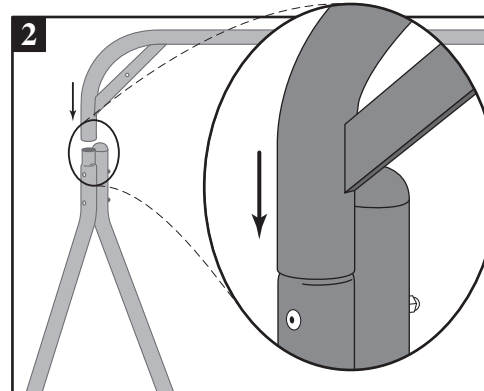


Assembly Instructions

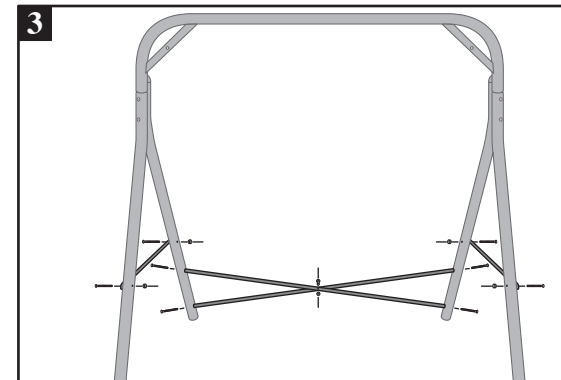
Frame



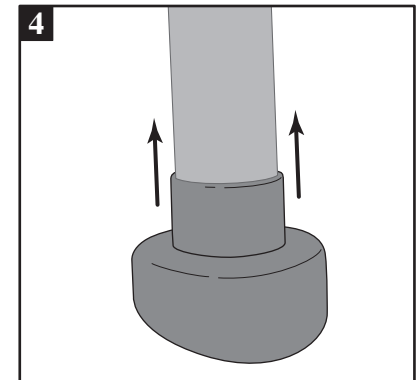
Step 1. Combine front (open top) and rear (capped top) swing supports for both sides of the swing with the long hex head bolt and nut (#4 above). Snug, but do not tighten.



Step 2. Attach top frame section by aligning with side frame as shown, then pulling down until sections fit tightly. Now, **tighten the bolts from step 1.**



Step 3. Add side braces using short hex head bolts and nuts (#1 above). Add the rear cross supports by threading bolt (#1 above) through front frame and into each end. Use bolt and nut (#3 above) to secure the braces together where they cross.



Step 4. Lift each corner of the frame and slide the plastic bases onto the bottom of the frame legs.

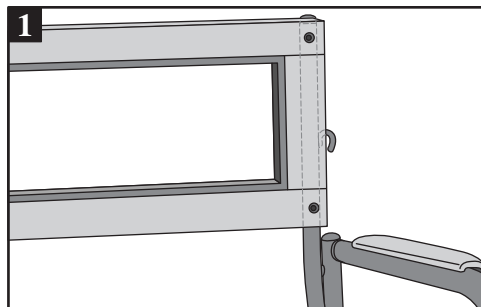
Parts List

Tube frame front	2
Tube frame back	2
Frame top	1
Side frame braces	2
Rear cross frame supports	2
Base caps	4
Seat support brackets	2
Chain	2
"S" hook	2

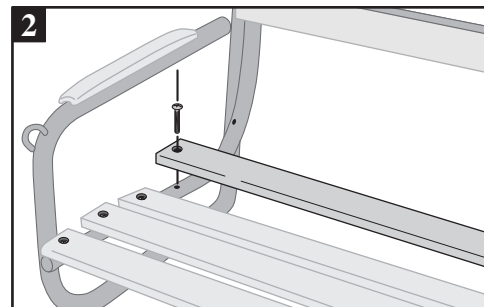
Mounting hardware (above right)

Hex bolt set (#4)	4
Hex wrench	1
Side brace bolt set (#1)	4
Cross support bolts (#1)	4
Support connect bolt set (#3)	1
Swing bolt set (#2)	16
Wood screws	12

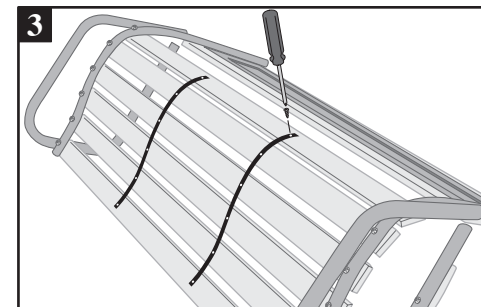
Swing



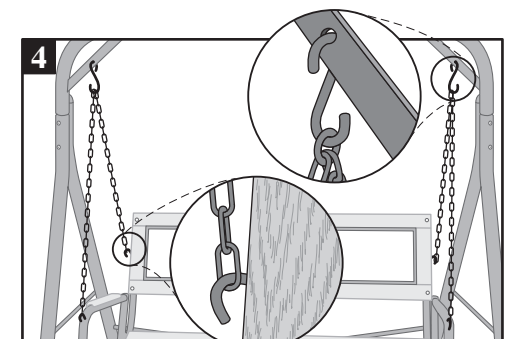
Step 1. Attach swing back rest to the frame with the nut/bolt/washer combo (#2 above). Snug, but do not tighten.



Step 2. Attach wooden seat slats to the frame starting with the rounded edge slat in front. Counter sunk edge faces up. Now, **tighten All bolts.**



Step 3. Turn the assembled swing upside down. Place the two support brackets 1/3 of the distance between the leg frame sections and attach with the provided wood screws.



Step 4. Attach "S" hook to top corners of frame. Attach the "O" ring in each chain to one "S" hook. Hang swing from chains using the longest section in the front, and the short section in the back.

Tools needed:

- Medium phillips screwdriver
- Adjustable wrench