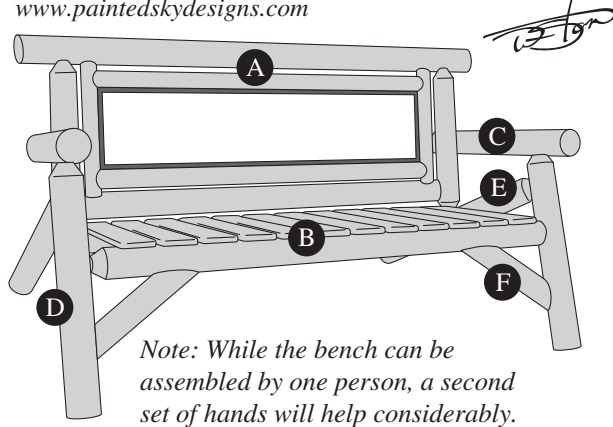




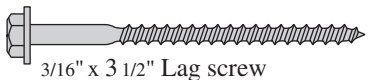
Thank you for your purchase of this bench in the **Weston Collection®** of outdoor furniture and accessories. Every step has been taken to make this the best looking longest lasting bench in the market today. The growing Weston Collection can be seen at www.paintedskydesigns.com



Note: While the bench can be assembled by one person, a second set of hands will help considerably.

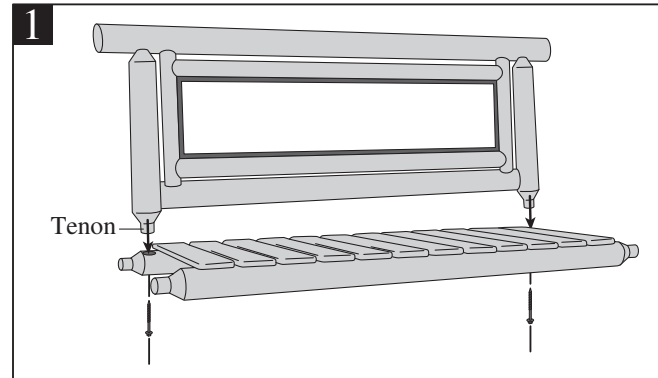
Parts List

A. Bench back (assembled)	1
B. Bench seat (assembled)	1
C. Bench arm	2
D. Front leg	2
E. Rear leg	2
F. Seat brace	2
Hardware	
3/16" x 4 1/2" Lag screw	10
3/16" x 3 1/2" Lag screw	4
Wood screw	2

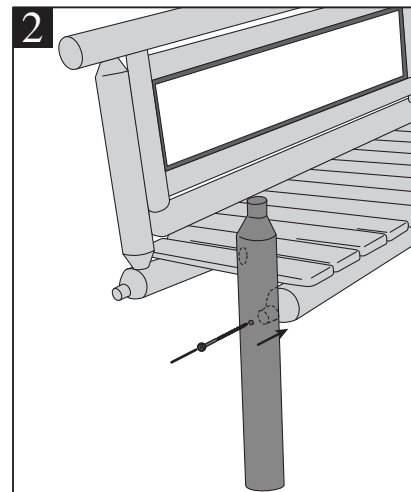


Cracks and slight irregularities in the wood are characteristic of cedar and are not defects. If you are missing any hardware, do not return to store. Send an e-mail to mike@paintedskydesigns.com describing the missing part and give a complete mailing address.

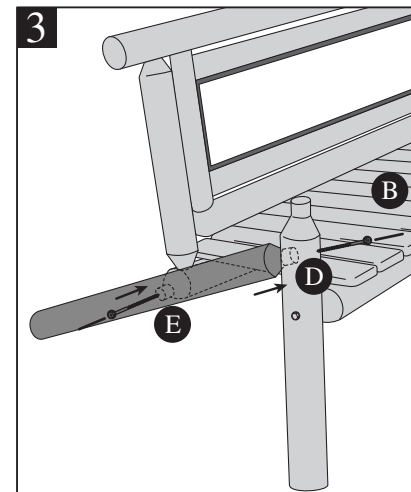
Assembly Instructions



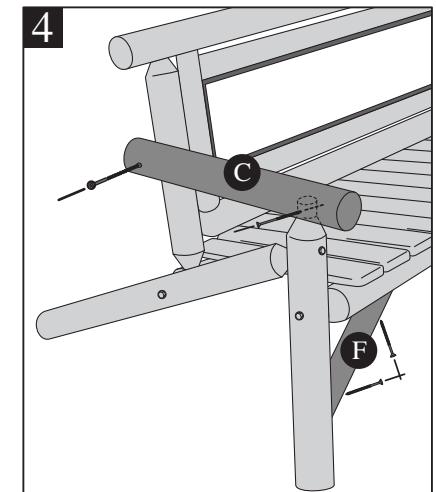
1. Lay bench seat (b) on a flat clean surface. Attach bench back (a) to bench seat by pressing tenons into mortise holes at the back of the seat section. Tilt entire unit back and tighten the mortis/tenon joint by tapping seat base log lightly with *rubber hammer*. Insert one 4 1/2" lag screw into each joint and tighten, pulling sections together. Joint is tight when screw head starts to pull into wood.



2. Position seat on an elevated surface, if possible, and attach the front leg section by inserting the tenon at the front of the seat into the mortise (hole). The correct log for each side has another mortise facing the rear. Tap lightly with a rubber hammer, or if not available, position a piece of scrap wood between the log leg section and a regular hammer and gently tap into place. Secure with a lag screw as shown in *illustration 2*.



3. Attach the rear leg (the longest log) by inserting the tenon into the mortise of the front leg (D) and the tenon of the rear portion of the seat into the mortise of the rear leg (E). Tap joint into place as described in step 2 and draw tight with a lag screw inserted through the front leg and into the tenon of the rear leg. Draw the rear leg tight to the seat (B) with another lag screw inserted through the leg, drawing the tenon of the seat tight into the leg mortise.



4. Attach arm by inserting front leg tenon into mortise on the underside of the arm and tapping into place. Secure with a wood screw from the outside. Screw should bisect both sides of the mortise/tenon joint for maximum strength. Connect the rear of the arm to the bench back with a lag screw as shown. Add seat braces (F) connecting seat to front leg. Repeat steps 2, 3, and 4 on the other end. **Before using the bench, make sure all joints are secure and tight.**