



Thank you for your purchase of this swing in the **Weston® Collection** of outdoor benches, swings and accessories. Every step has been taken to make this the best looking longest lasting bench in the market today. Our 3-step wood sealing process and powder coat iron finish give you a product to enjoy for years to come. The growing Weston Collection can be seen at www.paintedskydesigns.com



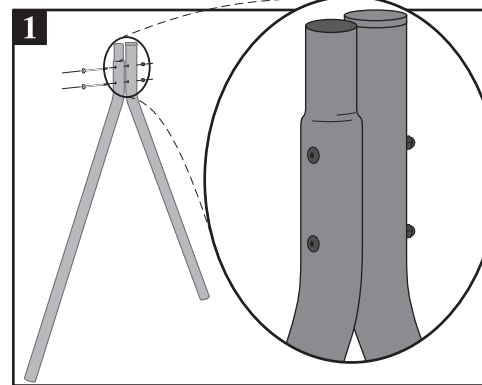
Caution

Do not allow children to stand on the swing seat

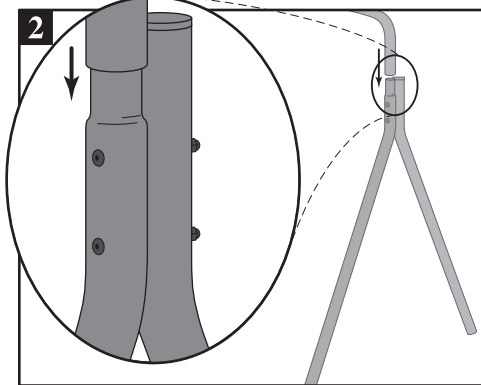
Always supervise children on **any** furniture

Assembly Instructions

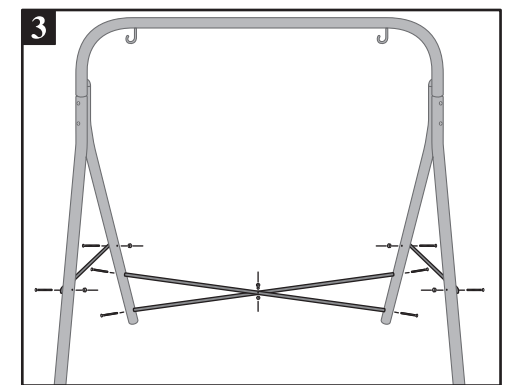
Frame



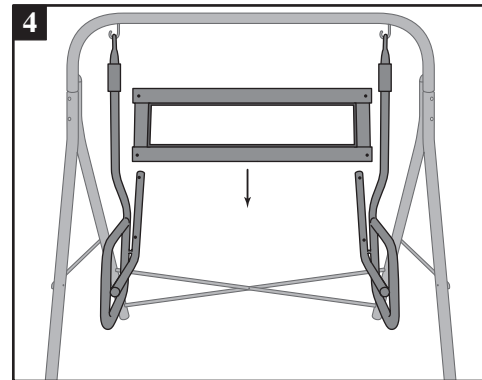
Step 1. Combine front (open top) and rear (capped top) swing supports for both sides of the swing with the long hex head bolt and nut (#3 above). Snug, but do not tighten.



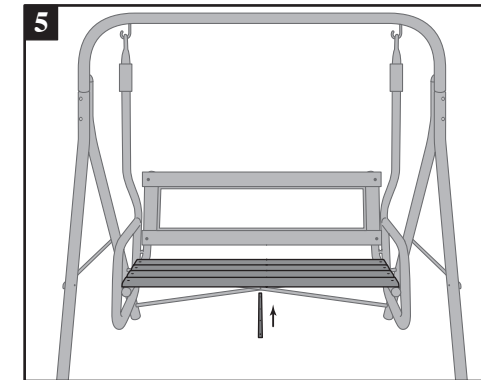
Step 2. Attach top frame section by aligning with side frame as shown, then pulling down until sections fit tightly. Now, **tighten the bolts from step 1.**



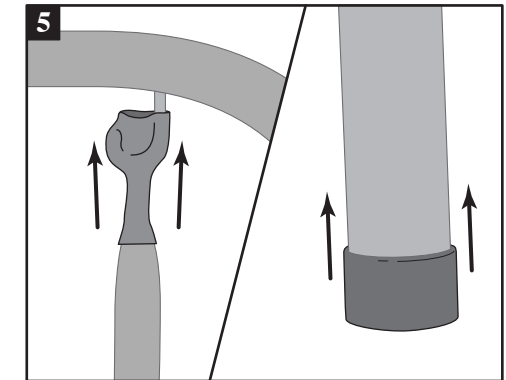
Step 3. Attach the side frame braces and rear cross frame supports as shown using the 1 3/4" hex head bolts (#2 above). When all are attached, tighten them.



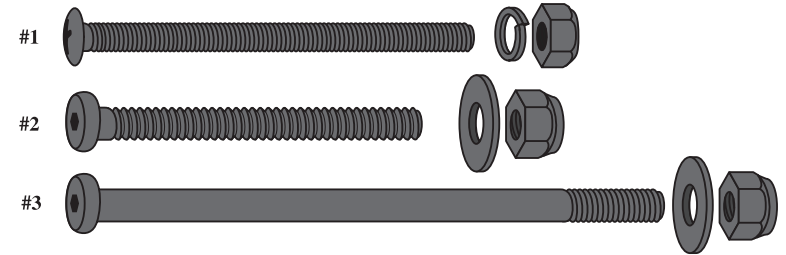
Step 4. Slide rubber sleeves over the ends of the seat frame sections. Hang the frames from the hooks. Attach the seat back to using the 2" seat bolts (#1). Hand tighten only.



Step 5. Use the same bolt/washer/nut combination to attach the 4 seat slats. Attach the flat seat support bracket to the underside using the wood screws.



Step 6. Tighten all hardware. Slide rubber sleeves up to cover frame/hook connection. Attach the strap around the hook and slide the base caps onto the frame ends.



Parts List

Tube frame front	2
Tube frame back	2
Frame top	1
Side frame braces	2
Rear cross frame supports	2
Base caps	4
Seat support bracket	1
Seat frame	2
Seat slats	4
Seat back	1
Rubber sleeve	2
Mounting hardware (above right)	
2" seat bolts	12
1 3/4" hex head bolt	9
3" hex head bolt	4
Seat screws	4
Nuts/washers/caps	
Hex wrench	
Hex "L" wrench	

Tools needed:

- Medium phillips screwdriver
- Pliers