



# Outdoor Table

# The Weston Collection®

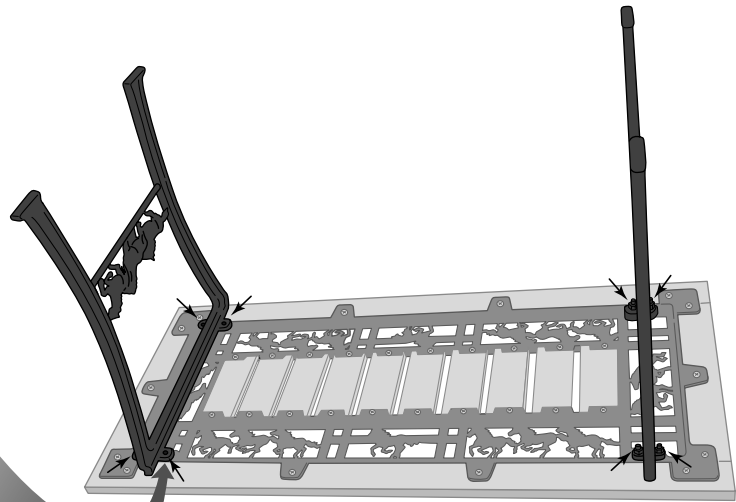
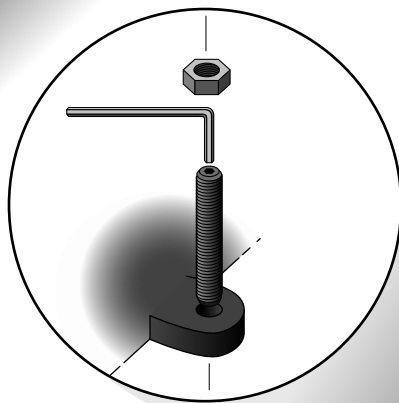
## Assembly Instructions

Thank you for your purchase of this table in the *Weston Collection*® of outdoor benches, swings and accessories. Every step has been taken to make this the best looking longest lasting outdoor table in the market today, but the sun takes its toll on any wood surface outdoors. We suggest that at the first sign of the seal breaking down, to apply tung oil to the wood using a cloth. Reapply as needed for your climate and your table will continue to look great. The growing Weston Collection can be seen at [www.paintedskydesigns.com](http://www.paintedskydesigns.com)

### Parts List

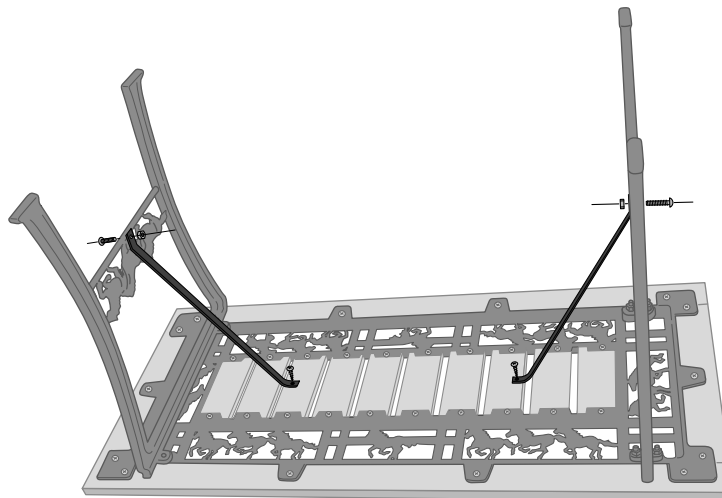
Leg frame .....	2
Table top .....	1
Brace .....	2
Mounting hardware	
Metal posts .....	4
Nuts/washers .....	6
Wood screws .....	2

### Step 1



Lay the table top upside down on a soft surface, taking care not to scratch the top. Insert the threaded metal posts (4) into the threaded holes on the underside of the table top and snug using the supplied "L" end wrench. Slide the table legs over the metal posts and then attach the nuts (4) to the posts. **(Do not overtighten the posts)**

### Step 2



Attach the brace to the leg frame by threading one of the bolts (2) through the hole in the leg frame as shown. Add a washer and nut to each. Make sure that the legs are perpendicular to the table top (use a carpenter's square or have someone stand back and visually do it). Press the loose end of the brace flat against the wood of the table top and attach the brace with one of the screws provided.