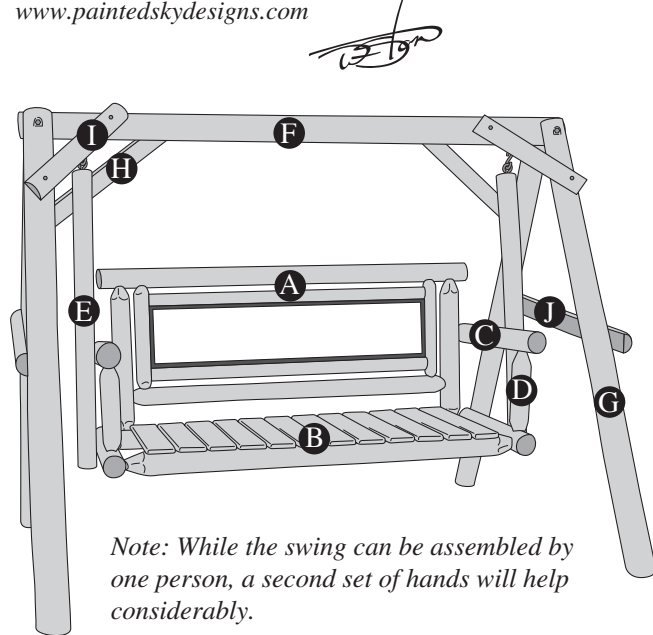




Cedar Swing

Thank you for your purchase of this swing in the **Weston Collection**® of outdoor furniture and accessories. Every step has been taken to make this the best looking longest lasting bench in the market today. The growing Weston Collection can be seen at www.paintedskydesigns.com



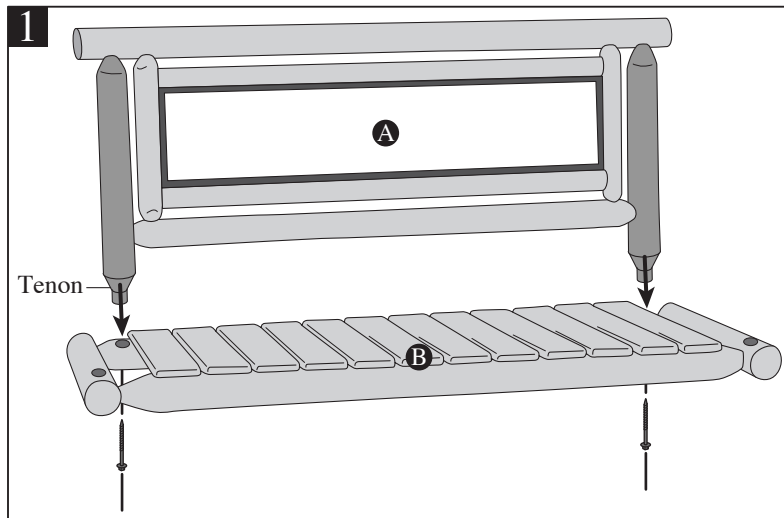
Note: While the swing can be assembled by one person, a second set of hands will help considerably.

All graphics and instructions ©2004 Painted Sky Designs, Inc.

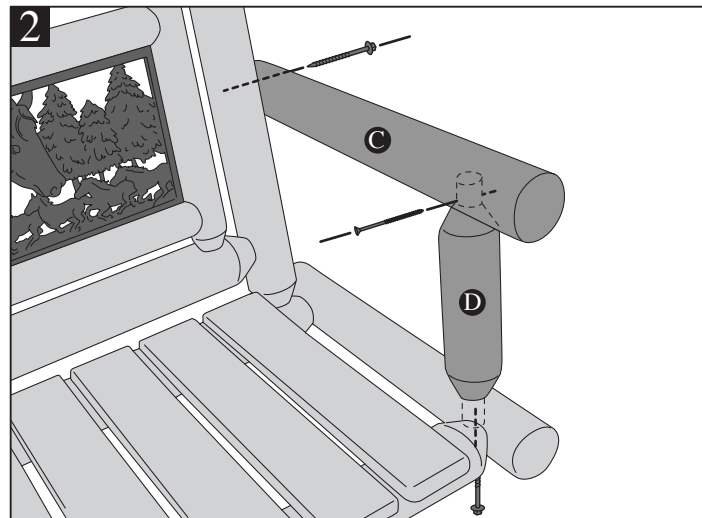
Assembled size roughly H 72" x W 80" x D 63"

Cracks and slight irregularities in the wood are characteristic of cedar and are not defects. If you are missing any hardware, do not return to store. Send an e-mail to mike@paintedskydesigns.com describing the missing part and give a complete mailing address.

Assembly Instructions



1. Lay swing seat (b) on a flat clean surface. Attach swing back (a) to swing seat by pressing tenons into mortise holes at the back of the seat section. Tilt entire unit back and tighten the mortis/tenon joint by tapping seat base log lightly with *rubber* hammer. Insert one 4 1/2" lag screw into each joint and tighten, pulling sections together. Joint is tight when screw head starts to pull into wood.



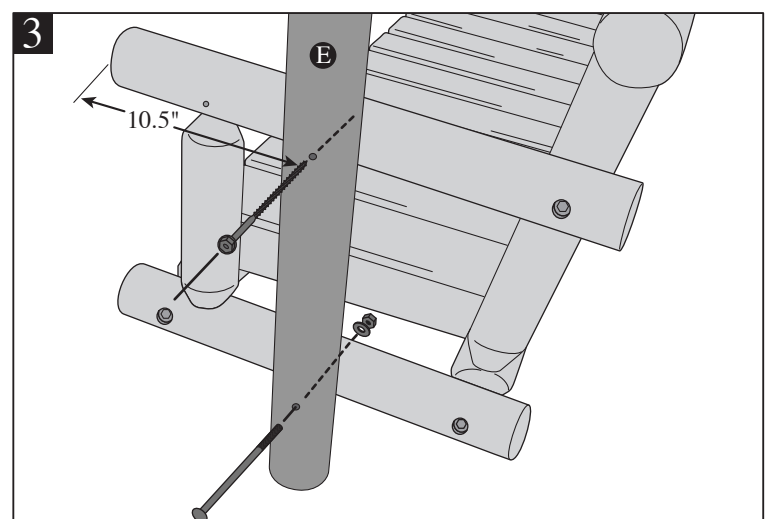
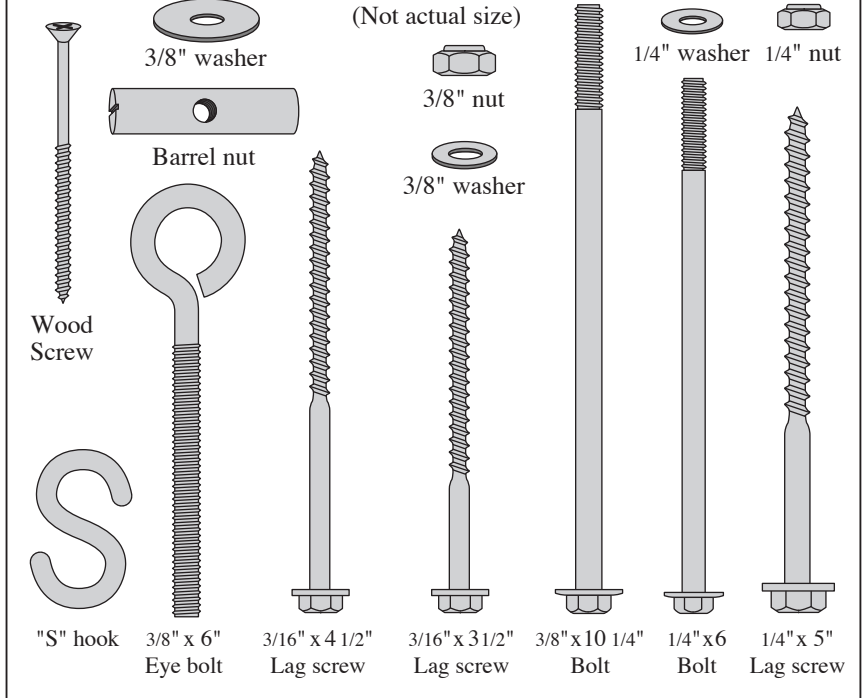
2. Tap vertical arm riser (d) into base and secure with 4 1/2" lag screw from the bottom. Tap swing arm (c) onto riser and secure by inserting the wood screw through the arm, bisecting the tenon inside the mortise hole and back into the swing arm. Attach the back of the swing arm to the swing back with another 4 1/2" lag screw, keeping the arm parallel to the base. Repeat on the other end of the seat.

The Weston Collection®

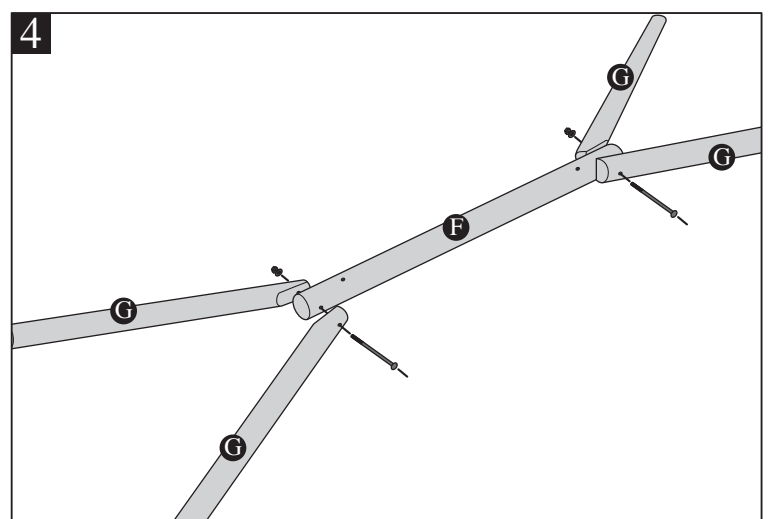
Parts List

| | | | |
|----------------------------|---|-----------------------|----|
| A. Swing back (assembled) | 1 | Mounting hardware | |
| B. Swing seat (assembled) | 1 | 3/8" bolt | 2 |
| C. Swing arm | 2 | 1/4" bolt | 2 |
| D. Arm riser | 2 | 5" Lag Screw | 2 |
| E. Vertical swing bars | 2 | 4 1/2" Lag Screw | 6 |
| F. Frame top rail | 1 | 3 1/2" Lag Screw | 12 |
| G. Frame legs | 4 | 3/8" Washer | 4 |
| H. Rear frame brace (30") | 2 | 1/4" Washer | 2 |
| I. Front frame brace (18") | 2 | Screw | 2 |
| J. Side frame brace (39") | 2 | Barrel Nut | 2 |
| | | 3/8" Self Locking Nut | 4 |
| | | 1/4" Self Locking Nut | 2 |
| | | 6" Eye bolt | 4 |

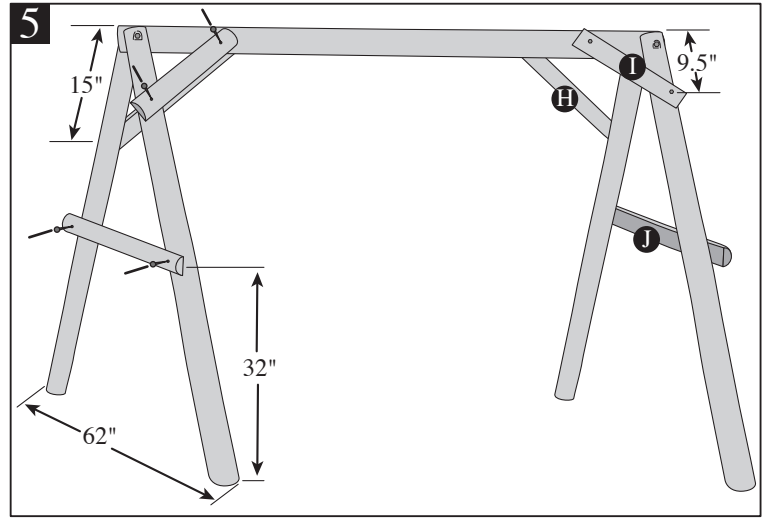
Swing hardware



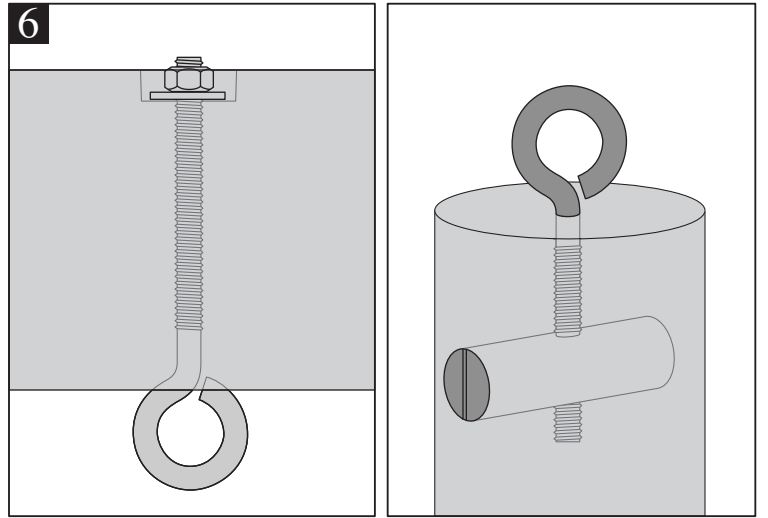
3. Attach vertical swing bar (e) to seat with 1/4 x 6" bolt/washer/nut combo. measure 10.5" back from the front edge of the swing arm and mark the center of the log with a pencil. Slide 5" inch lag screw through predrilled hole in swing bar and tap 1/2" into swing arm at pencil mark. To tilt swing forward more, screw further back on swing arm.



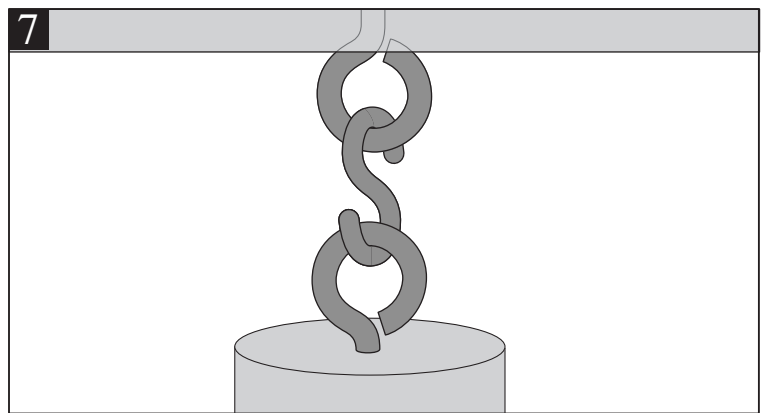
4. Lay frame top rail on firm surface and align frame legs as shown. Assemble with 10 1/4" bolt as shown. Use the 3/8" self locking nut and washer. Have helpers lift the top rail to final height. The legs will swing into roughly the proper position under the rail. Align so that the legs sit at a right angle to the top rail, then tighten nuts. The bolt head should be in front and the nut in back.



5. Attach braces as shown with 3 1/2" lag screws and washers. With the legs at a 90° angle to the top rail, the short front brace should be attached 9.5" from the top of the front leg section. Swing the other end up until the center rest at the middle of the top rail and screw it in. The back brace (h) attaches in the same manner, with the distance from the top of the leg section being 15". Repeat on other end. Position the base of the legs on each end 63" apart. Now screw the side braces to the leg frame ends at approximately 32" from the ground. This will give you a proper average height for the swing seat. To lower the height of the seat, spread the legs farther apart, front to back. Reattach the side brace, lining the end holes up centered on the leg sections. Reverse the process to raise the swing height.



6. Attach the 6" eye bolt inserting from the bottom of the top rail and securing with large washer and self locking nut from top. Tighten until the "eye" of the bolt starts to dig into the wood. The 6" eye bolt should be preattached into the top of the vertical swing bar, but if not, insert the barrel nut into the predrilled hole in the side of the vertical swing bar. Insert the 6" eye bolt into the end of the log and line the hole in the barrel nut with a screwdriver in the end thread. screw the eye bolt into the barrel nut until the "eye" portion digs into the wood.



7. Using the "S" hooks, attach the swing to the frame as shown. If the swing is to sit on bare ground, allow for proper settling. If the swing will stay on a hard surface, you can adjust the height by removing the side brace and varying the distance between the legs from front to back as described in step 5. Replace the side brace. Before using, check all screws and bolts. Failure to secure any of the parts of the swing can cause injury. Wood is always reacting to the elements and some shrinking, swelling, or twisting of the wood is natural. Because of this, periodic inspection is recommended to ensure all joints are tight.