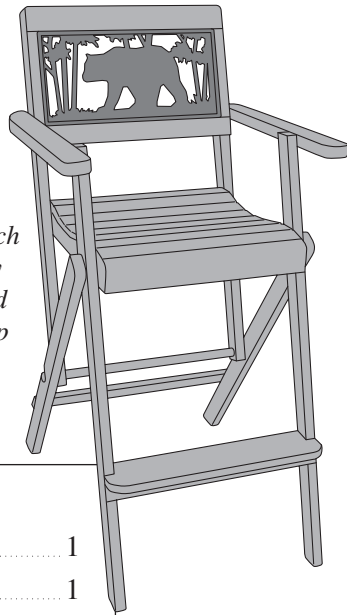




Wood/Iron Deck Chair

The Weston® Collection

Thank you for your purchase of this deck chair in the **Weston® Collection** of outdoor benches, swings and accessories. Every step has been taken to make this the best looking longest lasting outdoor furniture in the market today. Our 3-step wood sealing process and powder coat iron finish give you a product to enjoy for years to come. The growing Weston Collection can be seen at www.paintedskydesigns.com



Note: While the bench can be assembled by one person, a second set of hands will help considerably.

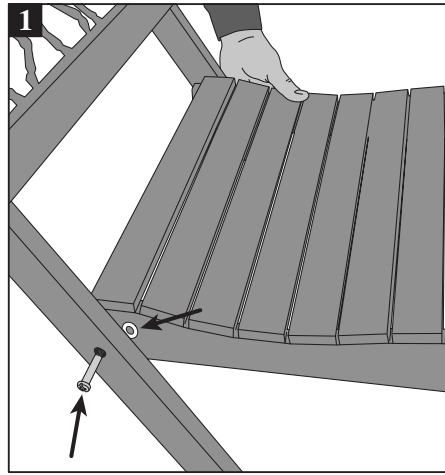
Parts List

Chair back	1
Seat	1
Rear legs	1
Front legs	1
Arm rests	2
Mounting hardware	
Bolts	8
Lock nuts	8
Metal washers	8
Plastic spacers	10

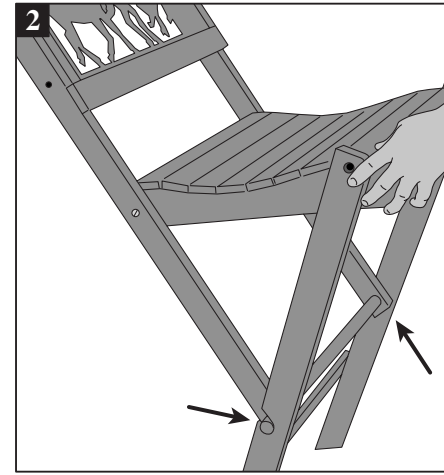
Tools needed:

- Large flat slot screwdriver
- 14 mm hex wrench or socket

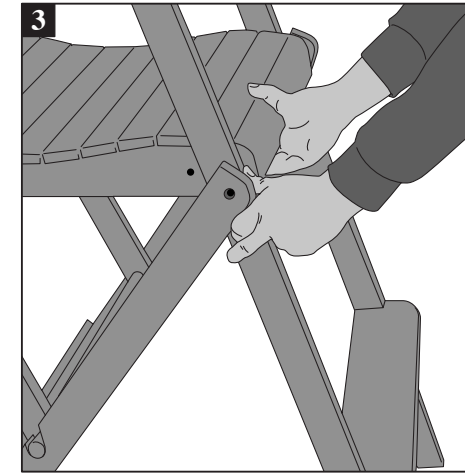
All graphics and instructions ©2009 Painted Sky Designs, Inc.



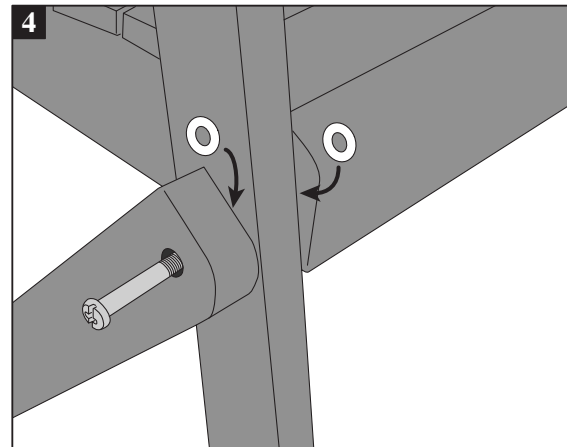
Step 1. Align the holes at the back of the seat with the lower set of holes in the "back" section. Insert a bolt from the outside. Use a plastic spacer between sections of wood. Add a metal washer and nut. Tighten until snug.



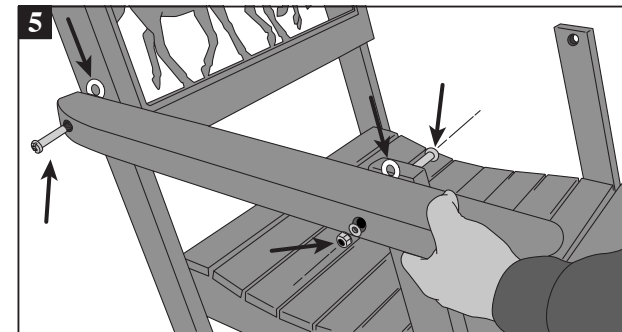
Step 2. Insert the dowel bars on the bottom of the "back" section into the slot in the "rear leg" section. Fold the seat forward toward the hole in the top hole of the "rear leg" section.



Step 3. Position the "front leg" section so that the lower hole is positioned between the front of the seat and the top of the "rear leg" section.



Step 4. Insert the bolt from the outside making sure that there is a plastic spacer between each piece of wood to prevent the finish from rubbing when the chair is folded. Add a metal washer and nut to the end of the bolt under the chair seat. Tighten until snug.



Step 5. Position chair arm as shown. Insert the rear bolt from the outside and the front bolt from the inside out. Make sure to add a plastic spacer between the wood sections to prevent rubbing. Secure each bolt with a metal washer and nut. Repeat on other side. Now tighten all nuts until there is no play between wood sections and the spacers. If chair feels wobbly, adjust tightness. (If you over tighten, wood will rub when folded)