

Cast Iron 3D Boot Outdoor Umbrella Stand

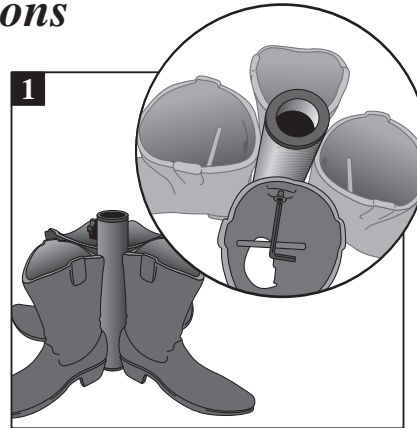


The Weston Collection®

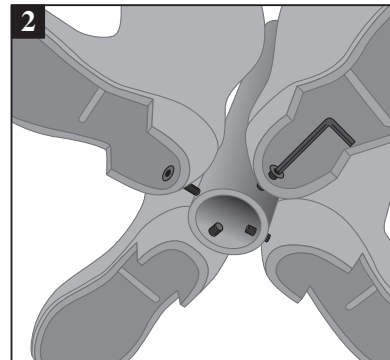
Thank you for your purchase of this umbrella stand in the *Weston Collection®* of outdoor benches, swings and accessories. Our powder coat iron finish give you a product to enjoy for years to come. The growing Weston Collection can be seen at www.paintedskydesigns.com

Assembly Instructions

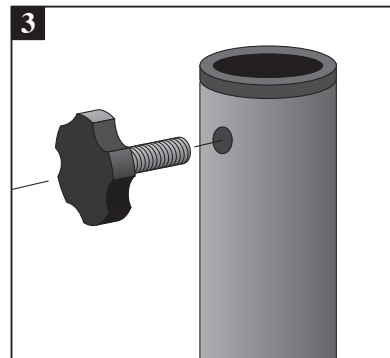
Step 1. Attach the top of the boot to the center post with the short bolt using the supplied hex wrench. *Do not tighten yet.*



Step 2. Attach the heel of the boot to the center post, again with the hex wrench. Adjust tightness of top and bottom bolts so that boots all sit level on ground. Do not *over* tighten, as this puts stress on the metal casting.



Step 3. Attach umbrella securing knob as shown.



Parts List

Center tube post	1
Boots	3
Bolts	6
Hex wrench	1
Knob	1